

Starting Procedure (After Preparation)

To restart a warm engine, follow the procedure for High Air Temperature.

The starter motor will operate only when the transmission is in neutral.

Normal Air Temperature

$10^{\circ} - 35^{\circ}\text{C}$ ($50^{\circ} - 95^{\circ}\text{F}$)

1. Move the choke lever left to the halfway position (B).
2. With the throttle slightly open, push the starter button.

CAUTION:

*** Pressing the electric starter button for more than 5 seconds at a time may cause the starter to overheat and damage the starter. Release the starter button for approximately 10 seconds before pressing it again.**

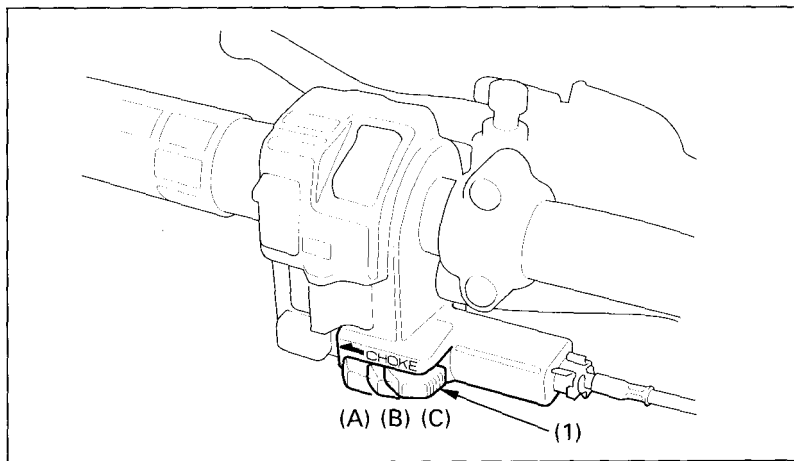


Fig. 3-9 (1) Choke lever

(A) Fully ON
(B) Halfway position
(C) Fully OFF

3. After the engine has warmed up, move the choke lever right to the fully OFF. (C)
4. If idling is unstable, open the throttle slightly.