

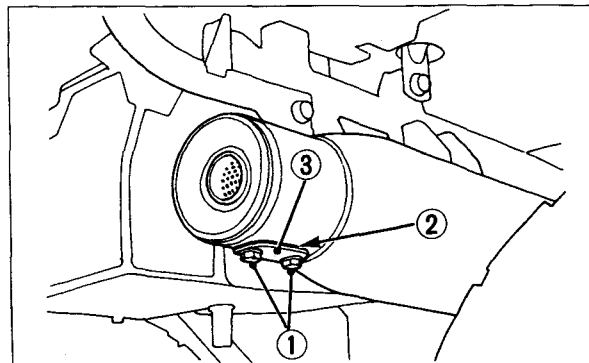
SPARK ARRESTER (USA ONLY)

The spark arrester must be periodically purged of accumulated carbon.

▲WARNING

- * *The exhaust system becomes very hot during operation and remains hot for a period of time after stopping the engine. Allow the exhaust system to cool before performing this operation.*
- * *Because of the increased fire hazard ensure that there are no combustible materials in the area when purging the spark arrester.*
- * *Wear eye protection.*
- * *Do not stand behind the vehicle while purging the carbon from the spark arrester.*
- * *Never run the engine in a closed area. The exhaust contains poisonous carbon monoxide gas that can cause loss of consciousness and may lead to death.*

1. Remove the bolts (1), gasket (2) and spark arrester lid (3).
2. Start the engine and purge accumulated carbon from the arrester by momentarily revving up the engine several times.
3. Stop the engine and allow the exhaust pipe to cool.
4. Reinstall the removed parts and tighten the bolts securely.



(1) Bolts

(3) Spark arrester lid

(2) Gasket