

## SERIAL NUMBERS

The frame, engine and key numbers (Fig 5-1) will be needed when you order replacement parts. Record the numbers here for your reference.

The frame serial number (2) is stamped on the front of the frame. The engine serial number (3) is stamped on the right crankcase.

KEY NO. \_\_\_\_\_

FRAME NO. \_\_\_\_\_

ENGINE NO. \_\_\_\_\_

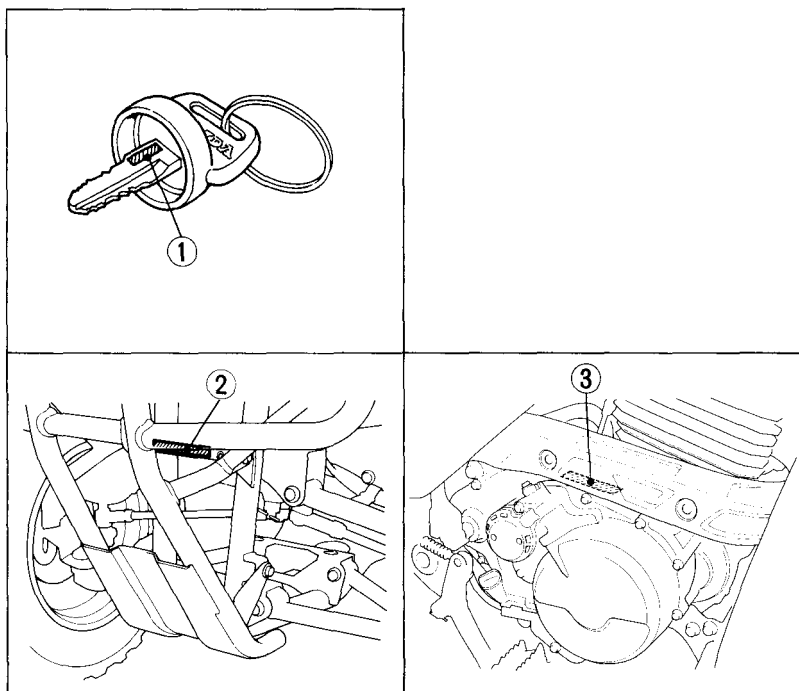


Fig. 5-1 (1) Key number (2) Frame number (3) Engine number