

3. Remove the screws (2) (Fig. 4-6) and remove the air cleaner assembly (1) from the case.
4. Unscrew the clamp (3) and remove the mounting bracket (4).
5. Remove the air cleaner (5) from the air cleaner body (6).

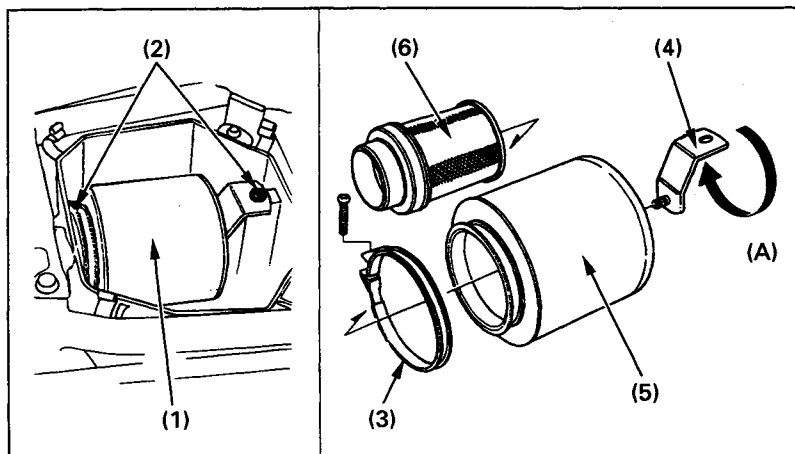


Fig. 4-6

- (1) Air cleaner assembly
- (2) Screws
- (3) Clamp
- (4) Mounting bracket

- (5) Air cleaner
- (6) Air cleaner body
- (A) To release