

Starter Button

The starter button (Fig. 2-7) is below the engine stop switch. To start the engine, press the starter button (1), with the transmission in neutral, the ignition switch ON (I) and the engine stop switch (2) at RUN (O).

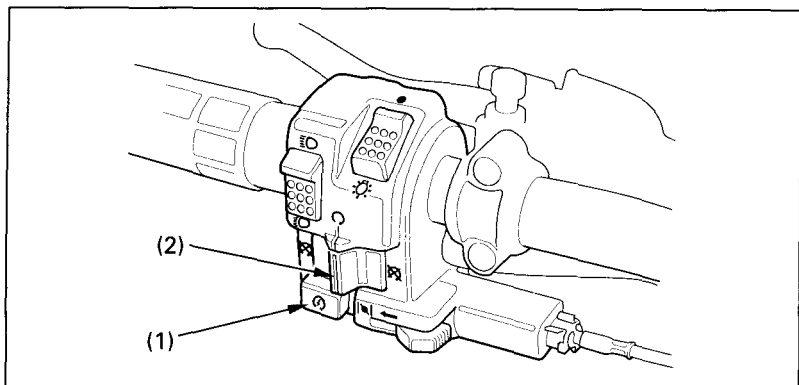


Fig. 2-7 (1) Starter button (2) Engine stop switch

Starting Primer Knob

The starting primer knob (Fig. 2-8) is on the carburetor float bowl on the left side of the FOURTRAX. To start the engine when air temperature is below -15°C (5°F), push the knob in once or twice before pressing the starter button.

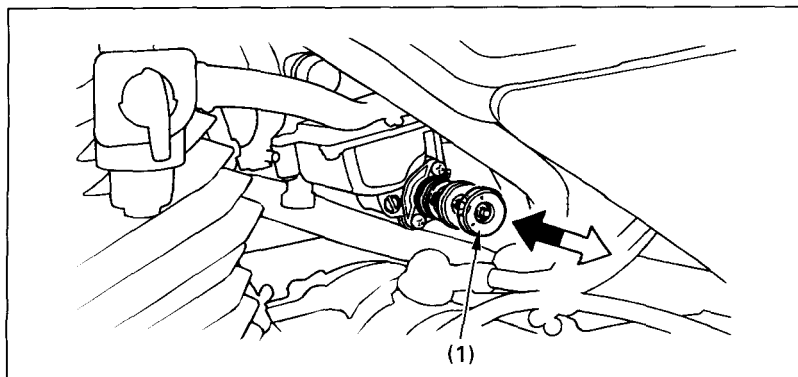


Fig. 2-8 (1) Starting primer knob