

7. Soak the air cleaner in Pro Honda Foam Filter Oil or an equivalent [Canadian Vehicles: gear oil (SAE 80–90)] until saturated, then squeeze out the excess oil.

**CAUTION:**

**Twisting the air cleaner when squeezing out excess oil could damage the air cleaner.**

8. Reassemble by reversing the disassembly sequence.

**Dust Cover ( California only )**

Do not push the dust cover ( 1 ) (Fig. 4-7) into the air cleaner housing ( 2 ). If the dust cover is dirty, clean it.

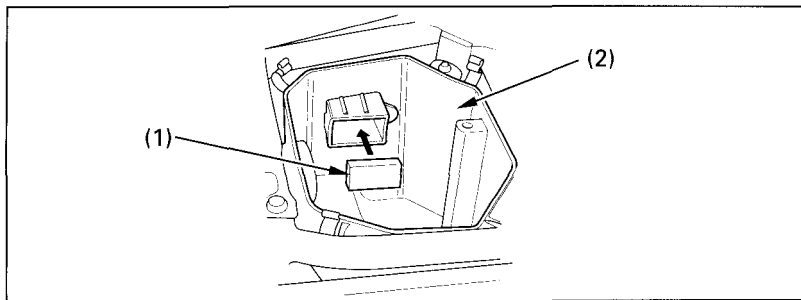


Fig. 4-7

(1) Dust cover

(2) Air cleaner housing