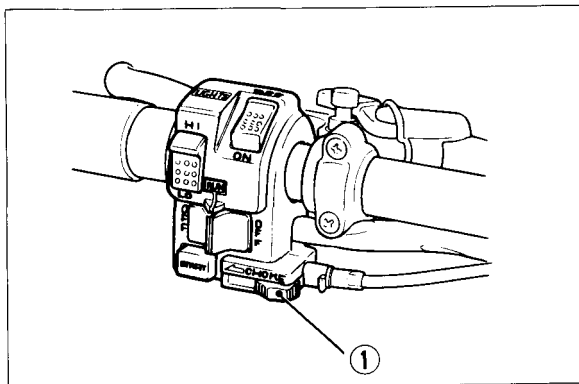


## CARBURETOR CHOKE

Inspect the choke cable for condition and choke lever (1) for operation. Replace the cable if it is damaged or kinked.

Lubricate the cable with commercially available cable lubricant to prevent premature wear and corrosion.



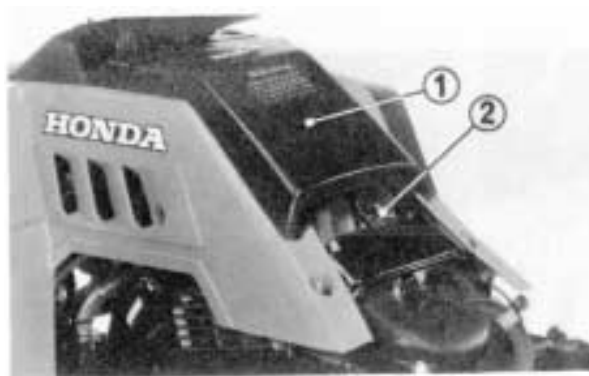
(1) Choke lever

## AIR CLEANER

The air cleaner element accumulates dust and must be cleaned periodically. If the TRX is ridden in dusty areas, the element must be cleaned at more frequent intervals than specified in the MAINTENANCE SCHEDULE.

To clean the filter element:

1. Remove the seat. Remove the air cleaner case top cover (1) by removing the wing bolt (2).



- (1) Air cleaner case top cover
- (2) Wing bolt