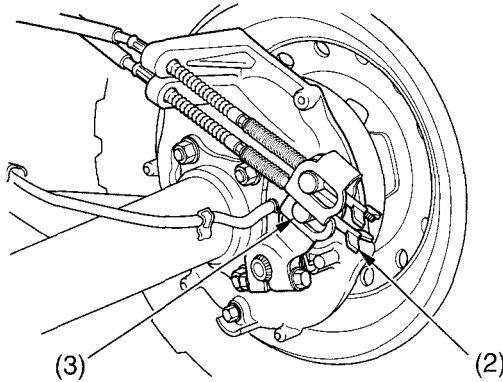


# Brakes

---

## Adjustment

### RIGHT REAR



(2) brake pedal adjusting nut

(3) brake arm pin

Turn the brake pedal adjusting nut ( 2 ), located on the brake operating rod at the rear of the frame. Make sure the cutout on the adjusting nut is properly seated on the brake arm pin ( 3 ).