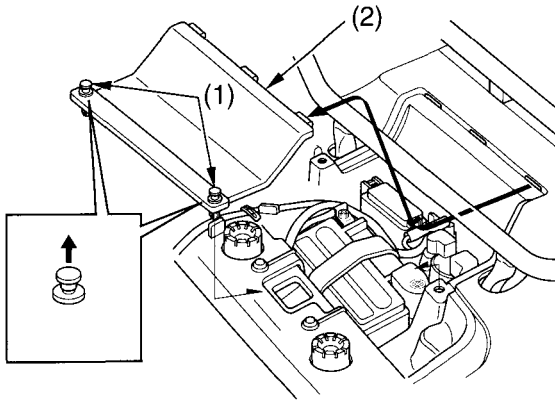


# Battery

The battery is located in a compartment under the seat.

## UNDER SEAT



(1) clips

(2) rear fender lid

1. Make sure the ignition switch is OFF (  $\bigcirc$  ).
2. Remove the seat (page 99 ).
3. Pull up on the two clips ( 1 ) and remove the rear fender lid ( 2 ) by sliding it forward.

(cont'd)