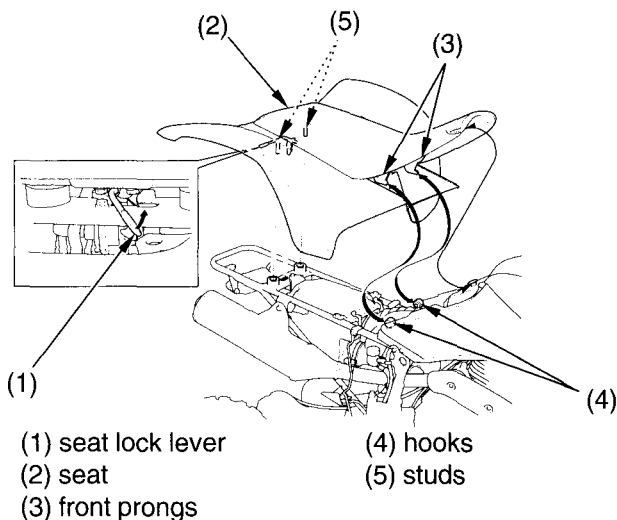


# Seat Removal

---

Refer to *Safety Precautions* on page 75 .

The seat must be removed for air cleaner, battery and fuse maintenance.



## Removal

1. Pull the seat lock lever ( 1 ) up behind the seat.
2. Slide the seat ( 2 ) back and lift it.

If the muffler is hot, take care to lift the seat so that the rear fender does not touch the silencer.

Allowing the rear fender to touch a hot muffler while removing the seat may damage the plastic.

## Installation

1. Insert the front prongs ( 3 ) into the hooks ( 4 ) on the frame and press the studs ( 5 ) into the grommets on the frame.
2. Press down on the seat until locks.