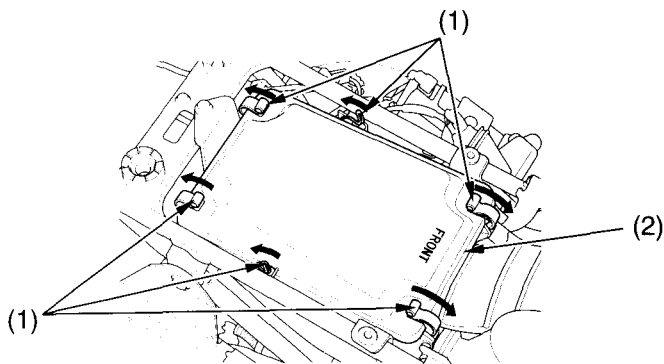


Air Cleaner

Cleaning

1. Remove the seat (page 86).

UNDER SEAT



- (1) retainer clips
(2) air cleaner housing cover

2. Unlatch the retainer clips (1).
3. Remove the air cleaner housing cover (2).
4. Loosen the screw (3) and remove the air cleaner assembly (4) from the air cleaner housing.
5. Unscrew the clamp (5).
6. Remove the air cleaner (6) from the air cleaner body (7).
7. Gently wash the air cleaner in clean, non-flammable (high flash point) solvent such as kerosene — not petrol. After cleaning, gently squeeze out the remaining solvent. Avoid twisting or wringing the air cleaner. This can tear the foam.
8. Inspect for tears or cracks in the foam or seams of the air cleaner. Replace the air cleaner if it is damaged.