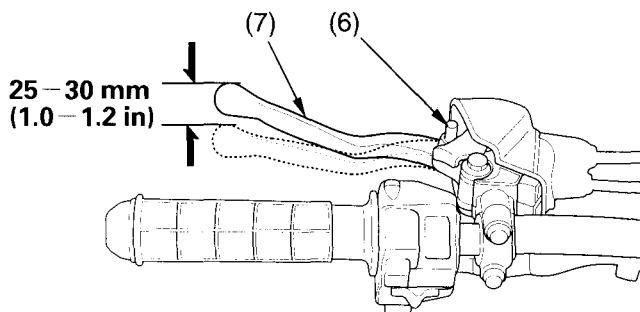


# Brakes

---

6. Push down the parking brake pin (6) and then squeeze the clutch lever/parking brake lever (7) until firm resistance is felt. Measure the distance the clutch lever/parking brake lever has moved; the distance should be:
- 25–30 mm (1.0–1.2 in)

## LEFT HANDLEBAR



(6) parking brake pin

(7) clutch lever/parking brake lever

Check the clutch lever/parking brake lever and parking brake cable for loose connections or other damages. If the parking brake cable is worn or kinked, have it replaced by your Honda dealer.

## Other Inspections & Lubrication

- Check that the clutch lever/parking brake lever assembly is positioned properly and the securing bolts are tight.
- Check the parking brake cable for kinks or signs of wear. If necessary, have it replaced.
- Lubricate the parking brake cable with a commercially-available cable lubricant to prevent premature wear and corrosion.