

DRIVE CHAIN

The drive chain (1) will wear with use and requires periodic adjustment in accordance with the maintenance schedule.

NOTE:

Check, adjust or lubricate the chain with the engine off.

Chain slack should be checked by measuring the amount of chain slack midway between the sprockets. The amount of slack should be:

1 $\frac{3}{16}$ – 1 $\frac{9}{16}$ in (30 – 40 mm)

NOTE:

Excessive chain slack may allow the drive chain to come off and damage the engine cases.

To adjust slack, use an Allen wrench (4) to loosen the rear axle holder fixing bolts (2), (Fig.4-16). Turn the adjuster (3) to decrease or increase chain slack. Retighten the rear axle holder fixing bolts.

Rear axle holder fixing bolts torque:

15 lbf·ft (21 N·m , 2.1 kgf·m)

NOTE:

If a torque wrench was not used for installation, see your authorized Honda dealer before operating the vehicle to verify proper assembly.

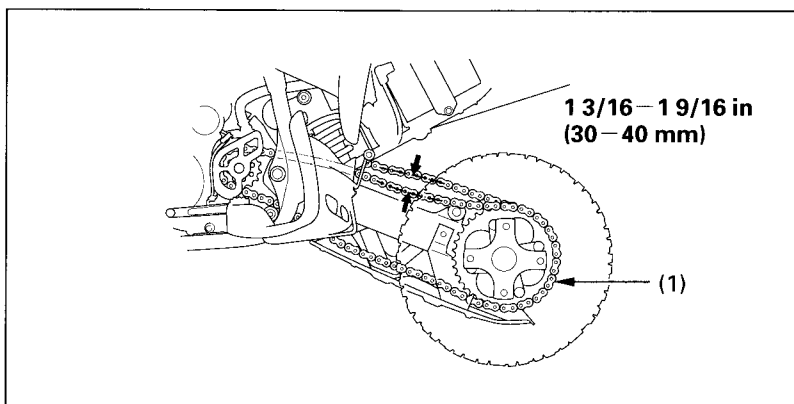


Fig. 4-15 (1) Drive chain