

Choke Lever

The choke lever (Fig. 2-6) is next to the starter button. The choke has two positions: fully ON (A), and fully OFF (B).

To start a cold engine when air temperature is 5—95°F (-15—35°C), move the choke lever left to the Fully ON before pressing the starter button. After the engine is warm, move the choke lever right to the fully OFF position.

CAUTION:

Extended use of the choke may impair piston and cylinder wall lubrication and shorten the life of the engine.

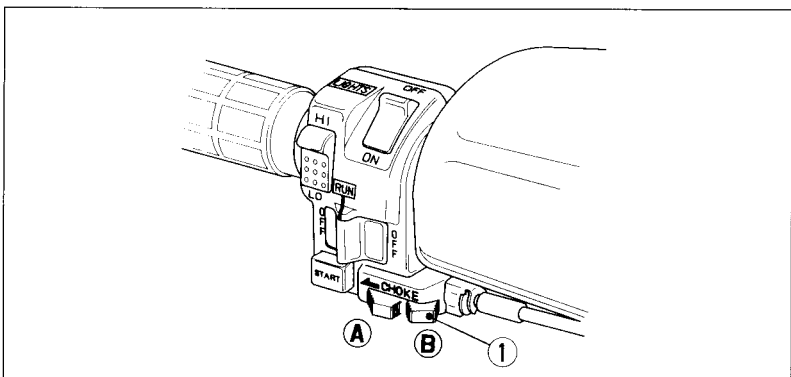


Fig. 2-6

(1) Choke lever

(A) Fully ON

(B) Fully OFF