

### Choke Lever

The choke lever (Fig. 2-7) is next to the starter button. The choke has two positions: fully ON (A), and fully OFF (B).

To start a cold engine when air temperature is  $-15-35^{\circ}\text{C}$  ( $5-95^{\circ}\text{F}$ ), move the choke lever left to the Fully ON before pressing the starter button. After the engine is warm, move the choke right to the fully OFF position.

#### CAUTION:

**Extended use of the choke may impair piston and cylinder wall lubrication and shorten the life of the engine.**

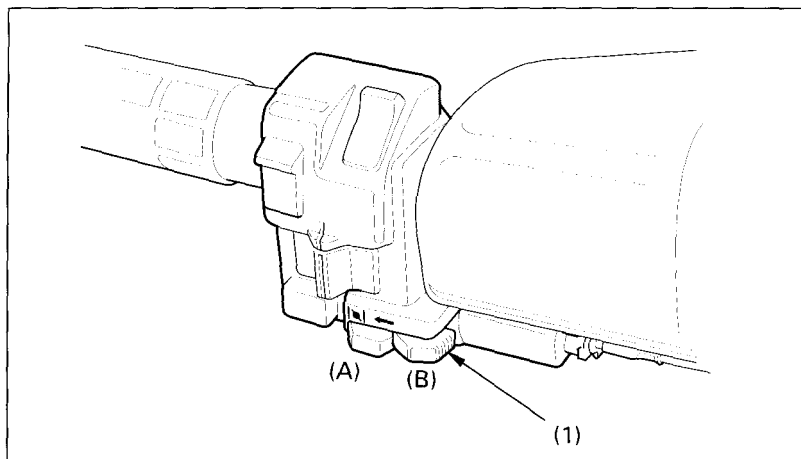


Fig. 2-7 (1) Choke lever

(A) Fully ON  
(B) Fully OFF