

Engine Oil & Filter

Checking & Adding Oil

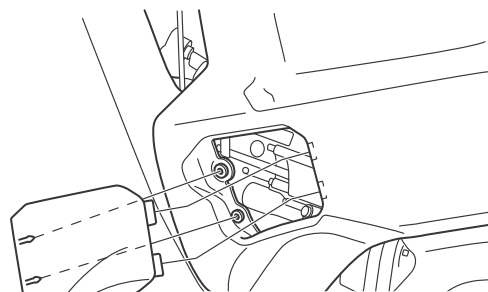
Refer to *Safety Precautions* on page 113.

Check the engine oil level each day before operating your ATV and add if needed.

Before riding your ATV, check the engine oil level.

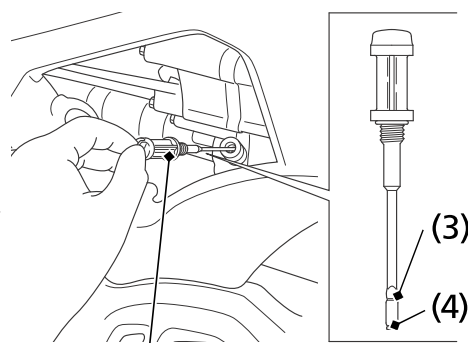
1. Park your ATV on a firm, level surface.
2. Start the engine in a well-ventilated area and let it idle for 3 – 5 minutes. If the air temperature is below 10°C (50°F), let the engine idle for an additional 5 minutes (a total of 10 minutes).
3. Stop the engine and wait 2 – 3 minutes.
4. Remove the oil check lid (1).
5. Remove the dipstick (2) from the front left crankcase cover and wipe it clean.
6. Insert the dipstick without screwing it in, then remove the dipstick and check the oil level. The oil level should be between the upper level mark (3) and the lower level mark (4) on the dipstick.

LEFT SIDE



(1)
(1) oil check lid

LEFT SIDE



(2) dipstick
(3) upper level mark
(4) lower level mark

(cont'd)