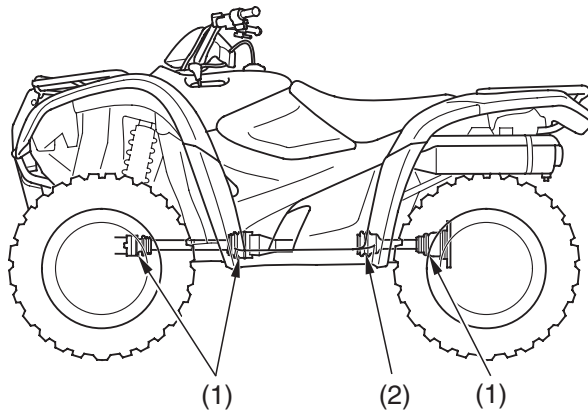




Drivetrain Boots

Propeller Shaft Boots & Yoke Joint Boot

Refer to *Safety Precautions* on page 95.



- (1) rubber propeller shaft boots
- (2) rubber yoke joint boot

Check the rubber propeller shaft boots (1) and rubber yoke joint boot (2) for cuts, damage or leaking grease. If necessary, have your Honda dealer replace them.

