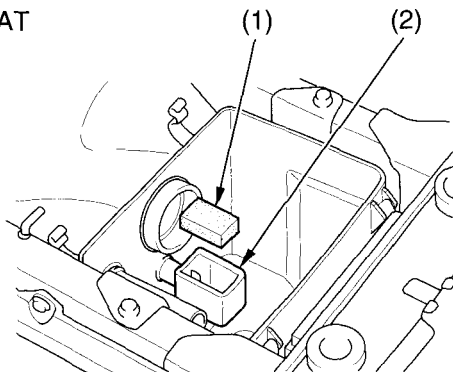


Air Cleaner

11. Install the air cleaner on the air cleaner body.
12. Apply a thin coat of grease to the sealing surface of the air cleaner assembly.
13. Install the mounting bracket.
14. Install the clamp.
15. Insert the air cleaner assembly into the air cleaner housing.
16. Install the air cleaner assembly screws.

Dust cover

UNDER SEAT



(1) dust cover

(2) breather joint

Do not push the dust cover (1) too far into the breather joint (2).
If the dust cover is dirty, clean it.