

Controls & Features

Front Brake Lever

The front brake lever is used to slow or stop your ATV. To operate, pull the lever. For information on braking techniques, see page 70.

Rear Brake Lever

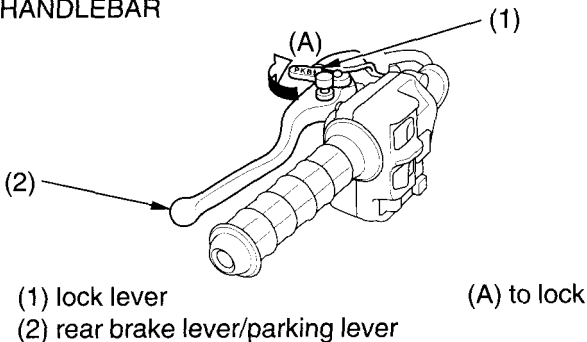
The rear brake lever is used to slow or stop your ATV. To operate, pull the lever. For information on braking techniques, see page 70.

Rear Brake Pedal

The rear brake pedal is used to slow or stop your ATV. To operate, depress the pedal. For information on braking techniques, see page 70.

Parking Brake

LEFT HANDLEBAR



The lock lever (1) on the rear brake lever (2) allows it to be used as a parking brake. To operate, first squeeze the rear brake lever using your left hand and then lock it with the lock lever using your right hand. See *Parking* page 84 .