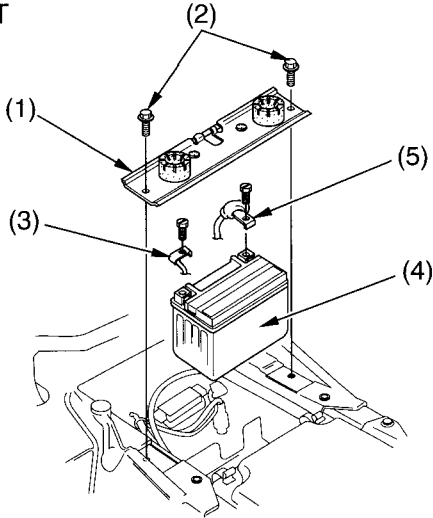


# Battery

The battery is located in a compartment under the seat.

## UNDER SEAT



(1) battery holder

(2) mount bolts

(3) negative ( - ) terminal lead

(4) battery

(5) positive ( + ) terminal lead

1. Make sure the ignition switch is OFF ( O ).
2. Remove the seat (page 98 ).
3. Remove the battery holder ( 1 ) by removing the mount bolts ( 2 ).
4. Disconnect the negative ( - ) terminal lead ( 3 ) from the battery ( 4 ) first, then disconnect the positive ( + ) terminal lead ( 5 ).
5. Remove the battery.

(cont'd)