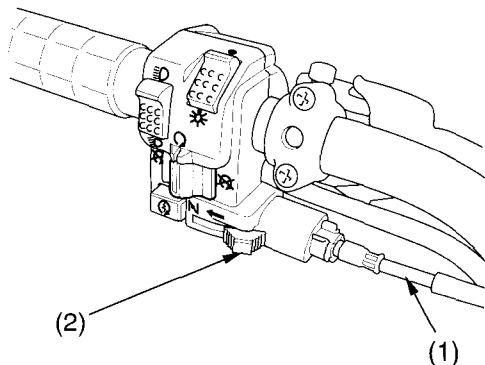


Carburetor Choke Cable & Lever

Refer to *Safety Precautions* on page 87 .

LEFT HANDLEBAR



(1) choke cable

(2) choke lever

1. Check the condition of the choke cable (1).
2. Check the operation of the choke lever (2).

If the cable is damaged or kinked, have it replaced by your Honda dealer.