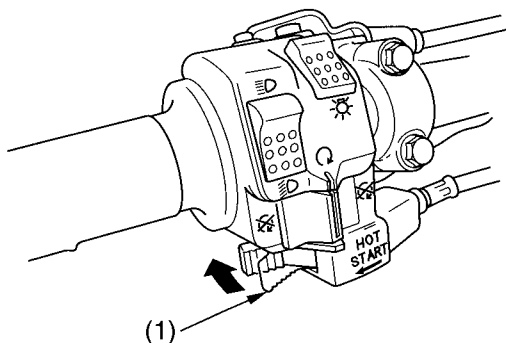


# Controls & Features

---

## Hot Start Lever (TRX450R only)

### LEFT HANDLEBAR



(1) hot start lever

The hot start lever (1) may be used when starting a warm engine. See page 53.