



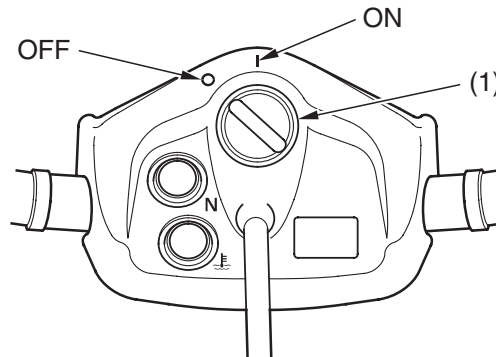
## Controls & Features

### Ignition Switch

The ignition switch (1) is used for starting and stopping the engine (page 47). Insert the key and turn it to the right for the ON ( I ) position.

Key Position	Function
ON ( I )	Electrical circuits on.
OFF ( O )	No electrical circuits function.

CENTRE OF HANDLEBAR



(1) ignition switch

I ON  
O OFF

### 18 Indicators & Controls

