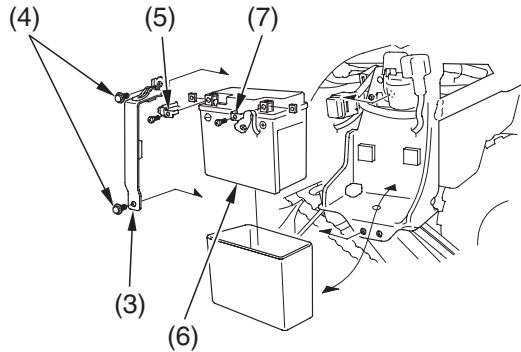




## Battery ( TRX450ER only)

---

### LEFT SIDE



- |                                |                                |
|--------------------------------|--------------------------------|
| (3) battery holder             | (6) battery                    |
| (4) mount bolts                | (7) positive (+) terminal lead |
| (5) negative (-) terminal lead |                                |



3. Remove the battery holder (3) by removing the mount bolts (4).
4. Disconnect the negative (-) terminal lead (5) from the battery (6) first, then disconnect the positive (+) terminal lead (7).
5. Remove the battery.
6. Charge the battery (see following section), unless you have been riding regularly.
7. Store your battery in an easy-to-reach location off the floor, in an area protected from freezing temperature and direct sunlight.
8. Clean the battery box after removing the battery for storage. Dry the battery box and, if paint is missing, re-paint the area.
9. Slow charge the battery (see following section) once every 30 days.

### Installation

1. Reinstall in the reverse order of removal.  
Be sure to connect the positive (+) terminal first, then the negative (-) terminal.
2. Make sure all bolts and other fasteners are secure.

## 162 Servicing Your Honda

