

TOOL KIT

A tool kit (1) (Fig. 4-2) is provided with your FOURTRAX and stored in the storage compartment below the rear cargo rack.

Tool kit (1) is stored in the storage box (2).

The tools in the kit are sufficient to perform routine maintenance and simple repairs. Any extensive work requiring additional tools should be performed by your authorized Honda dealer.

The tool kit includes the following items:

- * Standard/Phillips screwdriver
- * 10 × 12 mm open end wrench
- * 14 × 17 mm open end wrench
- * Spark plug wrench and handlebar
- * Pliers
- * Screwdriver handle
- * Air pressure gauge
- * Tool cases

The screwdriver handle and air pressure gauge are wrapped in a sponge and contained in a tool case.

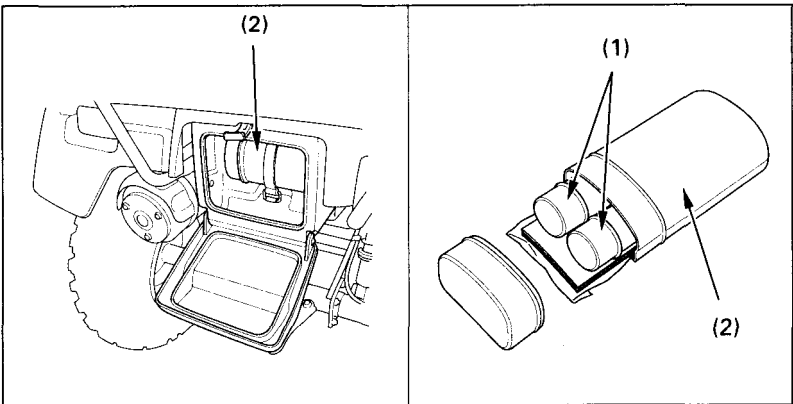


Fig. 4-2

(1) Tool kit
(2) Storage box

While reading this manual, remember:

▲WARNING Indicates a strong possibility that serious injury or death may result if instructions are not followed.