

PARTS LOCATION AND OPERATION

PARTS LOCATION

- (1) Rear brake lever
- (2) Headlight switch
- Engine stop switch
- Headlight dimmer switch
- Starter button
- Upshift switch
- Downshift switch
- (3) Gearshift lever
- (4) Horn button
- (5) Drive mode select switch
- (6) Fuel gauge
- (7) Choke knob
- (8) Ignition switch
- (9) Throttle lever
- (10) Front brake lever

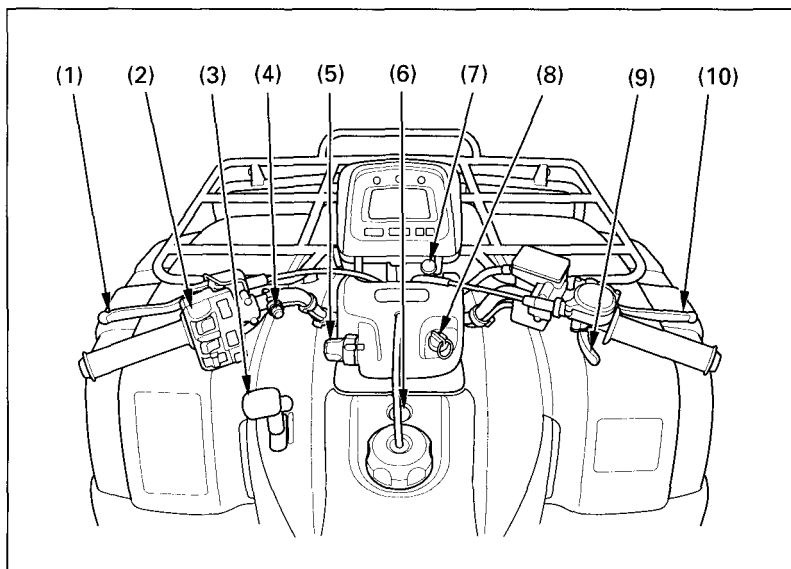


Fig. 2-1

Handlebars, from rider's point of view