

Changing the Engine Oil and Oil Filter

Engine oil should be changed in accordance with the Maintenance Schedule. Use motor oils of the grade and viscosity recommended.

When changing oil, drain the oil from the oil tank and crankcase while the engine is still warm. This will ensure complete and rapid draining.

To change the oil and oil filter:

1. With the FOURTRAX on level ground, start the engine and let it idle for a few minutes.
2. Stop the engine, place an oil drain pan under the oil tank and crankcase. Remove the oil filler cap, the drain bolt (1) on the oil tank and drain bolt (2) on the crankcase (Fig. 4-14).
3. After the oil has drained, make sure the sealing washers on the drain bolts are in good condition.
4. Install the drain bolts and tighten to the specified torque:

Oil tank drain bolt:

25 N·m (2.5 kgf·m , 18 lbf·ft)

Crankcase drain bolt:

25 N·m (2.5 kgf·m , 18 lbf·ft)

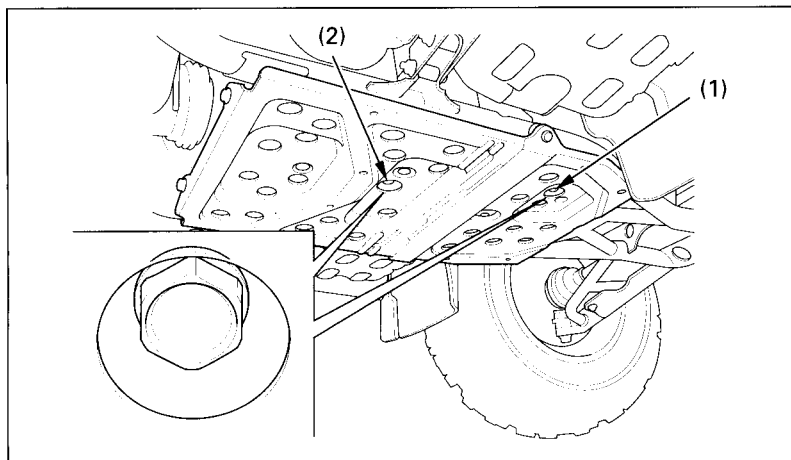


Fig. 4-14

- (1) Drain bolt (oil tank)
(2) Drain bolt (left crankcase)