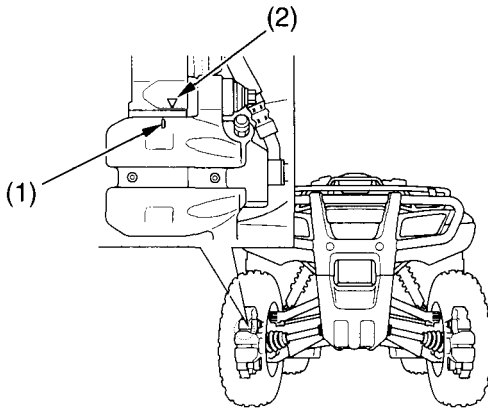


## Brake Pad Wear

Refer to *Safety Precautions* on page 101.

Brake pad wear will depend upon the severity of usage and riding conditions. The pads will wear faster in wet or muddy conditions. Inspect the pads visually during all regular service intervals to determine the pad wear.

FRONT  
(Left side similar)



(1) wear indicator

(2) reference mark

Check the wear indicator ( 1 ). Remove the front wheels (page 200). If the wear indicator aligns with the reference mark ( 2 ), both pads must be replaced, see your Honda dealer for this replacement.

Always inspect each pad of the right and left front brake calipers.