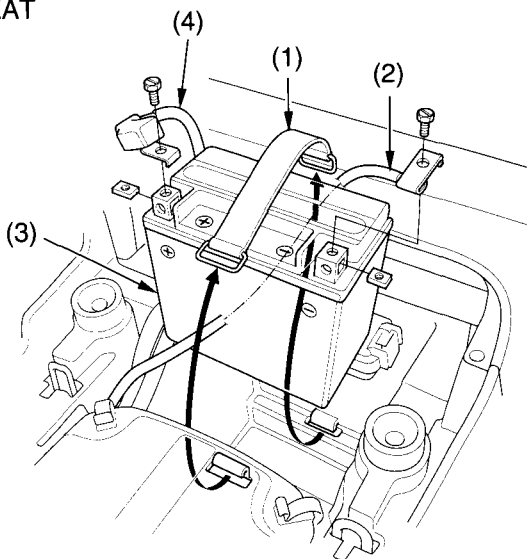


# Battery

---

The battery is located in a compartment under the seat.

## UNDER SEAT



- (1) rubber band                      (3) battery  
(2) negative (−) terminal lead    (4) positive (+) terminal lead

### Removal

1. Make sure the ignition switch is OFF ( O ).
2. Remove the seat (page 110).
3. Release the rings and remove the rubber band (1).
4. Disconnect the negative (−) terminal lead (2) from the battery (3) first, then disconnect the positive (+) terminal lead (4).
5. Remove the battery.