



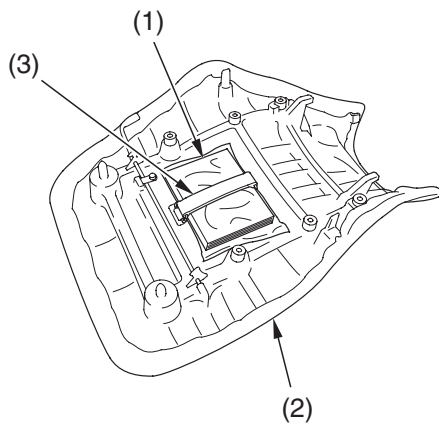
Owner's Manual Storage

Your ATV provides storage for the owner's manual so you'll have it with you for easy reference. Store your owner's manual (1) on the underside of the seat (2).

The owner's manual should be stored in the plastic bag and fastened with the rubber band (3).

Be careful not to flood this area when washing your ATV.

SEAT UNDERSIDE



(1) owner's manual
(2) seat

(3) rubber band

