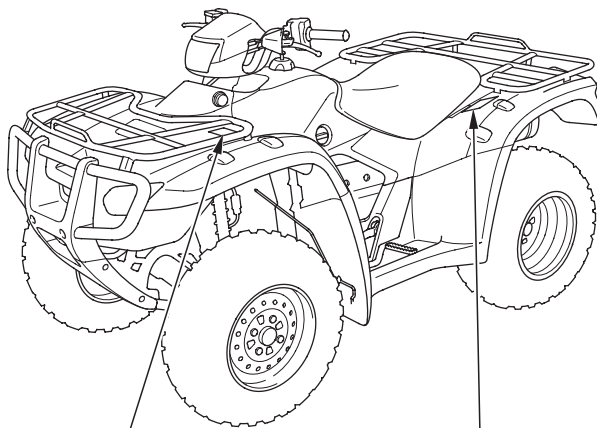




# Safety Labels



**⚠ WARNING**

Overloading this ATV or carrying cargo improperly can change handling, stability and braking performance and can lead to an accident.

Never exceed the maximum front cargo limit of : **66lbs (30kg)**.

Refer to instructions in the Owner's Manual.

## TRX500FM

**⚠ WARNING**

Improper tire pressure or overloading can cause loss of control.  
Loss of control can result in severe injury or death.

- Cold tire pressure :
  - Front : **3.6psi (25.0kPa)**
  - Rear : **3.6psi (25.0kPa)**
- Maximum weight capacity : **485lbs (220kg)**

## TRX500FPM

**⚠ WARNING**

Improper tire pressure or overloading can cause loss of control.  
Loss of control can result in severe injury or death.

- Cold tire pressure :
  - Front : **4.4psi (30.0kPa)**
  - Rear : **3.6psi (25.0kPa)**
- Maximum weight capacity : **485lbs (220kg)**

