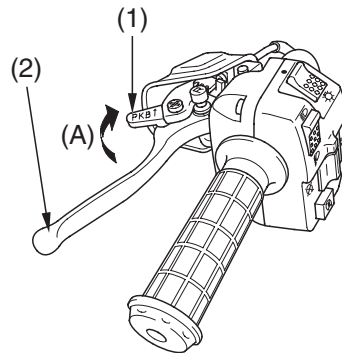




## Controls & Features

### Parking Brake

#### LEFT HANDLEBAR



- (1) lock lever
- (2) rear brake lever/parking brake lever

(A) to lock

The lock lever ( 1 ) on the rear brake lever/parking brake lever ( 2 ) allows it to be used as a parking brake. To operate, first squeeze the rear brake lever/parking brake lever using your left hand and then lock it with the lock lever using your right hand. See *Parking* page 90 .

The brakelights are activated by applying the parking brake. When using the parking brake, be sure to turn the ignition switch OFF ( ○ ) to avoid discharging the battery.