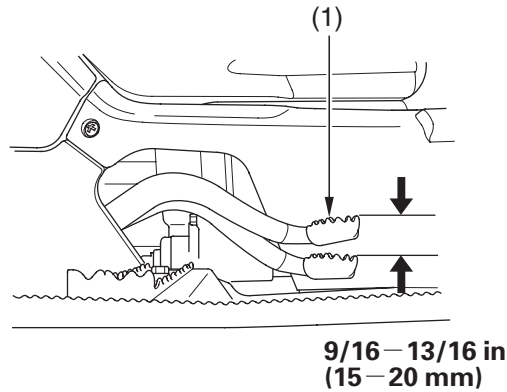




## Brakes

### Rear Brake Pedal Freeplay

RIGHT SIDE



(1) rear brake pedal

#### Inspection

Measure the distance the rear brake pedal (1) moves before the brake starts to take hold. Freeplay, measurement at the tip of the end of the pedal, should be:

**9/16 – 13/16 in (15 – 20 mm)**

If necessary, adjust to the specified range.

