



Owner's Manual Storage

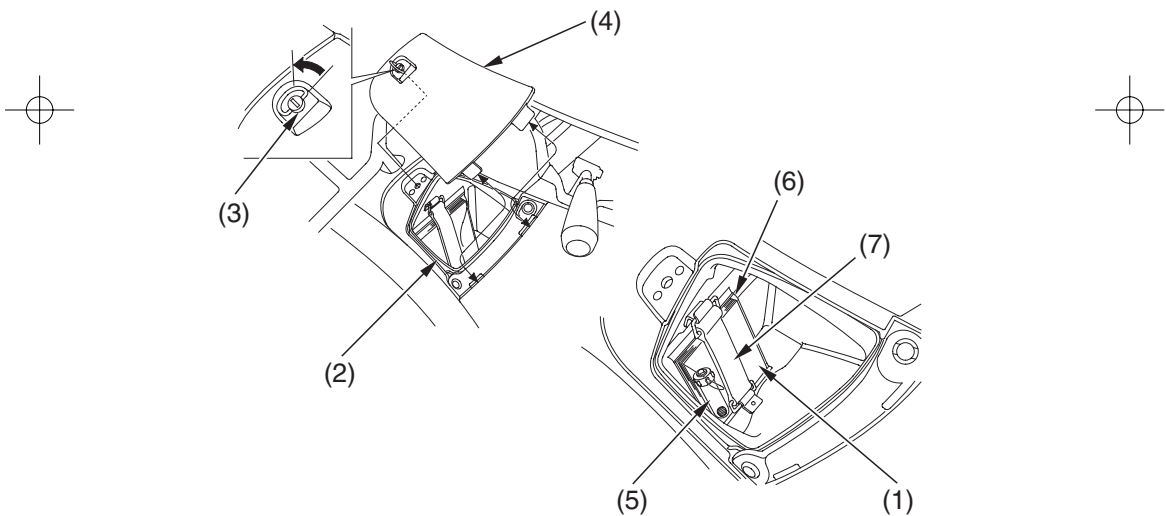
Your ATV provides storage for the owner's manual so you'll have it with you for easy reference. Store your owner's manual (1) in the storage compartment (2) at the left side of the front fender.

To open the compartment, turn left the quick screw (3) and remove the lid (4).

The owner's manual and air pressure gauge (5) should be stored in the plastic bag (6) and fastened with the rubber band (7).

Be careful not to flood this area when washing your ATV.

LEFT



- (1) owner's manual
- (2) storage compartment
- (3) quick screw
- (4) lid

- (5) air pressure gauge
- (6) plastic bag
- (7) rubber band