

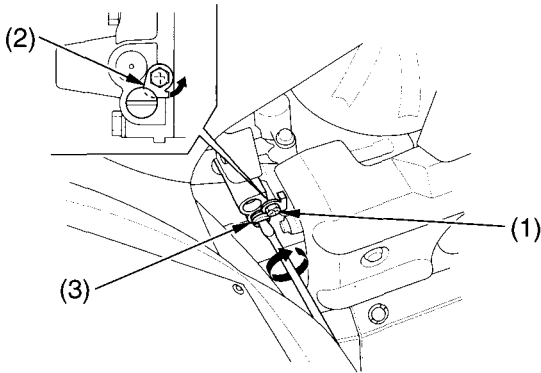
If the Transmission Is Not Functioning Properly

Although “-” is not blinking in the gear position indicator, the vehicle does not move:

If your ATV won't move, it is possible the transmission is locked. Use the following procedure to unlock the transmission.

1. Shift the shift lever in neutral (N) position.
2. Apply the parking brake.
3. Turn the ignition switch to the “OFF” (○) position.
4. Loosen the screw (1) and release the lock plate (2).
5. Turn the emergency valve (3) all the way in. With the engine running, your ATV will move forward slowly at idle.
6. See your Honda dealer as soon as possible.

LEFT SIDE



(1) screw
(2) lock plate

(3) emergency valve