



## Spark Arrester

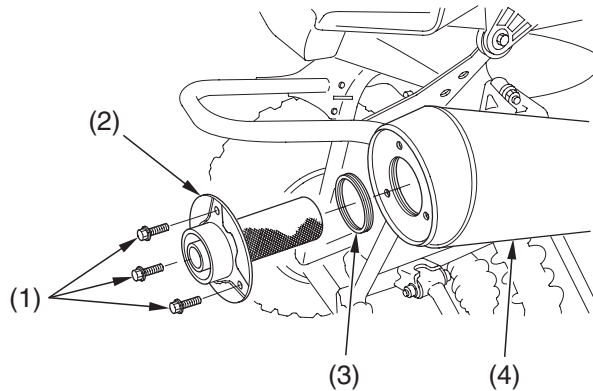
Refer to *Safety Precautions* on page 77.

The exhaust system must be periodically purged of accumulated carbon.

To purge the system:

1. Allow the engine and muffler to cool.
2. Remove the bolts (1), the spark arrester (2) and the gasket (3) from the muffler (4).

REAR



(1) bolts  
(2) spark arrester

(3) gasket  
(4) muffler

(cont'd)

