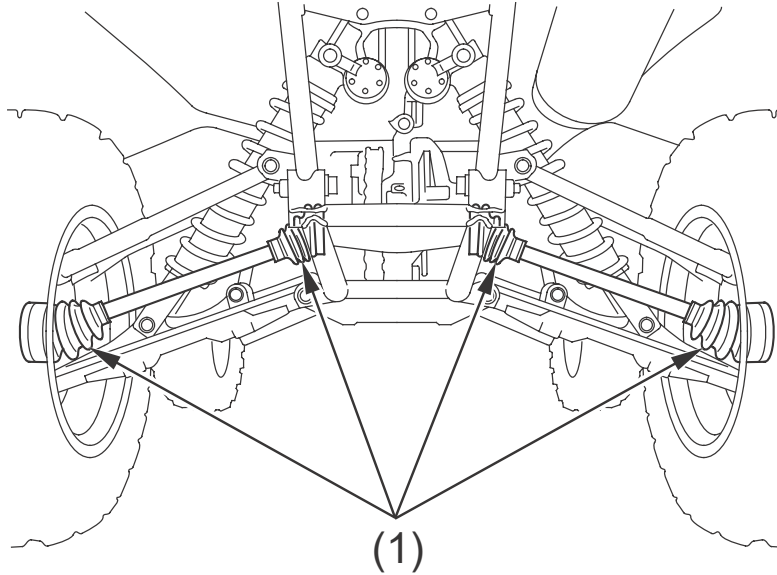


Drivetrain Boots

Refer to *Safety Precautions* on page 81 .

REAR



(1) rubber drivetrain boots

Check the rubber drivetrain boots (1) for damage or leaking grease. If necessary, have your Honda dealer replace them.