

# Vehicle Identification

---

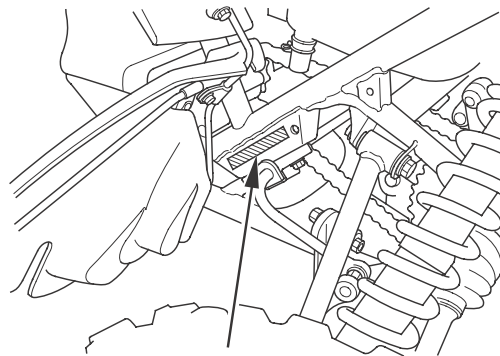
## Serial Numbers

The VIN, engine serial number, and key number may be required when ordering replacement parts. Record the numbers here for your reference.

The VIN (1) is stamped on the left side of the frame behind the left foot well, just in front of the left-rear suspension.

VIN \_\_\_\_\_

LEFT SIDE



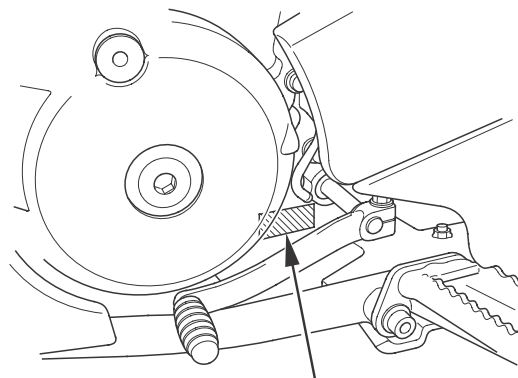
(1) VIN

(1)

The engine number (2) is stamped on the left side of the crankcase.

ENGINE NO. \_\_\_\_\_

LEFT SIDE



(2) engine number

(2)