

SEAT REMOVAL

To remove the seat (Fig. 4-25), pull up the seat lock lever (1) behind the seat and lift the seat.

To reinstall the seat, slide the front prongs (3) into the recesses (4) and press the seat down until it locks.

Check that the seat is locked securely by lightly lifting up on the rear of the seat after reinstalling it.

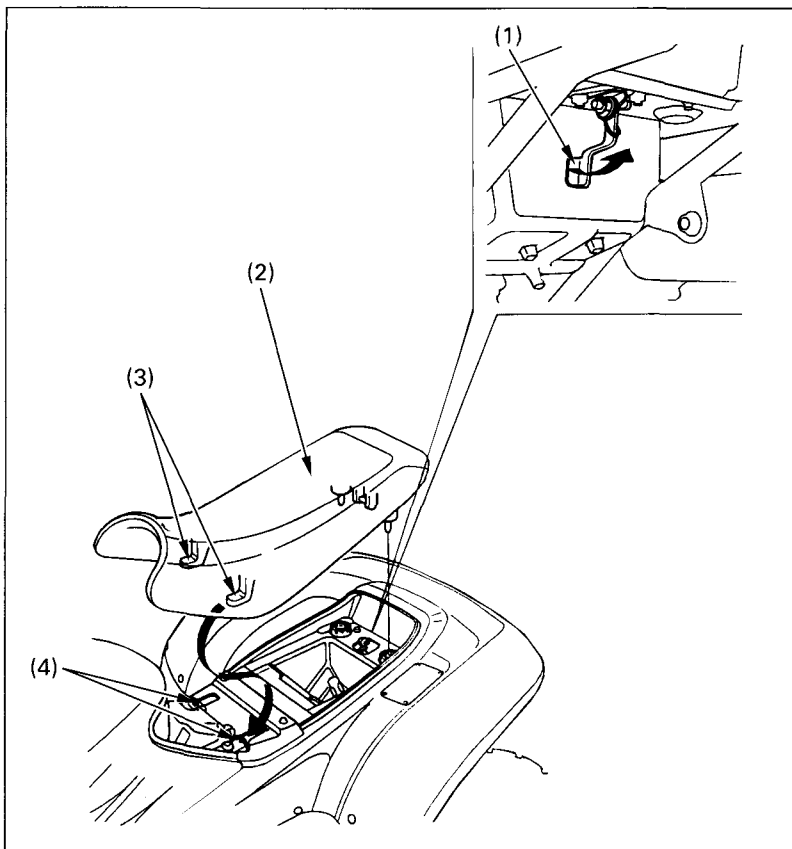


Fig. 4-25 (1) Seat lock lever
(2) Seat

(3) Front prong
(4) Recess