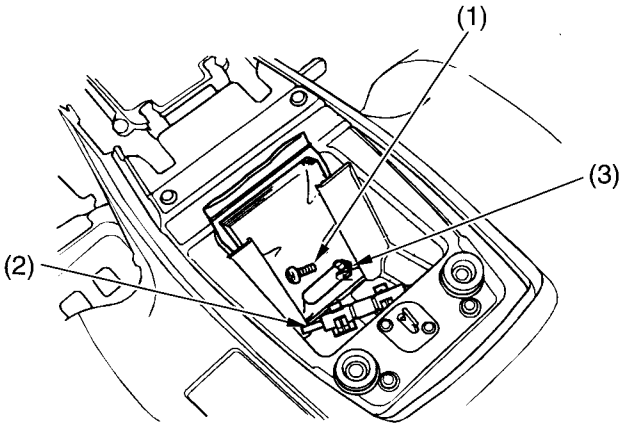


Tool Kit

A standard screw (1), spark plug wrench and handlebar (2), and air pressure gauge (3) are provided with your ATV and stored in the storage compartment below the seat.

UNDER SEAT



- (1) standard screw
- (2) spark plug wrench and handlebar
- (3) air pressure gauge