

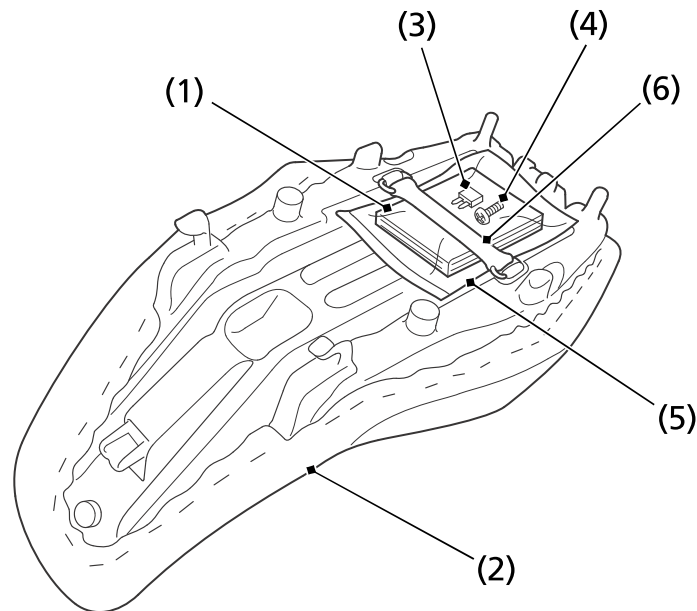
Owner's Manual Storage

Your ATV provides storage for the owner's manual so you'll have it with you for easy reference. Store your owner's manual (1) in the plastic document bag underside of the seat (2).

The owner's manual, spare fuse (3) and screw (4) should be stored in the plastic document bag (5) and fastened with the rubber band (6).

Be careful not to flood this area when washing your ATV.

SEAT UNDERSIDE



(1) owner's manual

(2) seat

(3) spare fuse

(4) screw

(5) plastic document bag

(6) rubber band