

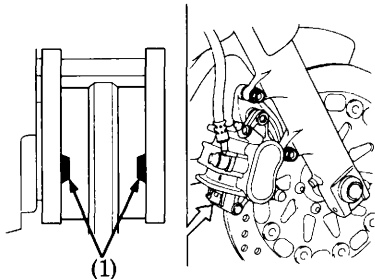
BRAKE PAD WEAR

(Refer to the maintenance precautions on page 61).

Brake pad wear depends upon the severity of usage, the type of riding, and road conditions. (Generally, the pads will wear faster on wet and dirty roads.)

Inspect the pads at each regular maintenance interval (page 57).

〈FRONT BRAKE〉



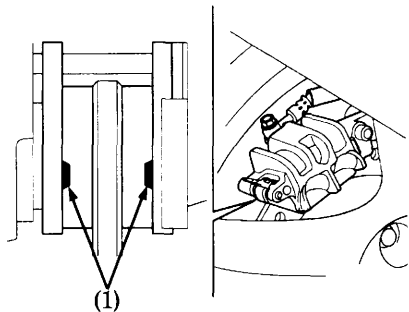
(1) Cutouts

Front/Rear Brake

Check the cutout (1) in each pad.

If either pad is worn to the cutout, replace both pads as a set. See your authorized Honda dealer for this service.

〈REAR BRAKE〉



(1) Cutouts