

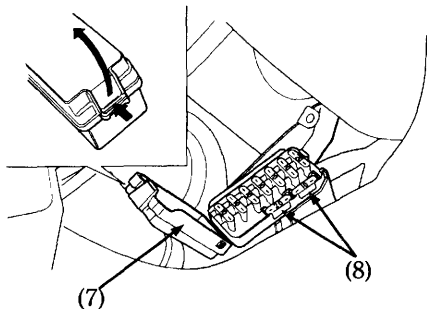
To replace fuses, remove the fuse box case cover (4) by removing the screw (6) and open the fuse box cover (7).

Pull the old fuse out of the clips. Push a new fuse into the clips and close the fuse box cover.

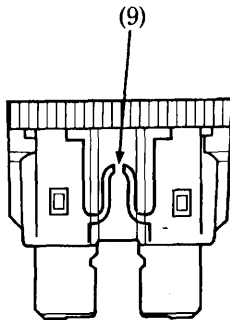
The spare fuses (8) are located in the fuse box.

▲ WARNING

*** Never use a fuse with a different rating from that specified. Serious damage to the electrical system or a fire may result, causing a dangerous loss of lights or engine power.**



(7) Fuse box cover (8) Spare fuses



(9) Blown fuse