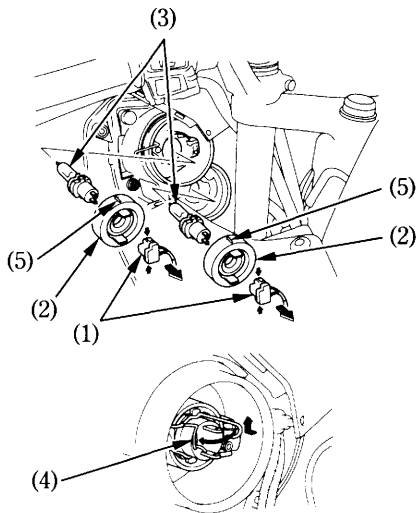


## Headlight Bulb

1. Remove the inner panel (page 66 ).
2. Pull off the socket ( 1 ) without turning.
3. Remove the dust cover ( 2 ).
4. Remove the bulb ( 3 ) while pressing down on the pin ( 4 ).
5. Pull out the bulb without turning.
6. Install a new bulb in the reverse order of removal.
  - Install the dust cover with its arrow mark ( 5 ) facing up.



- (1) Socket  
(2) Dust cover  
(3) Bulb

- (4) Pin  
(5) Arrow mark