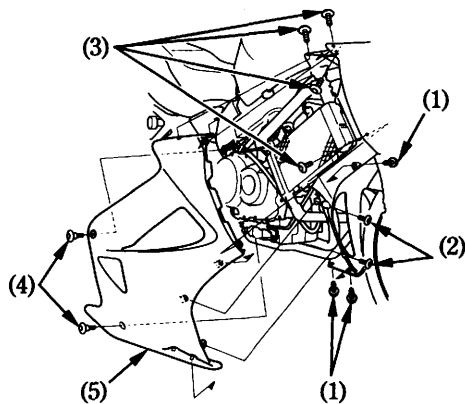


FRONT COWL

Removal:

1. Remove the clips (1).
2. Remove the bolts A (2).
3. Remove the bolts B (3).
4. Remove the bolts C (4).
5. Remove the front cowl (5).

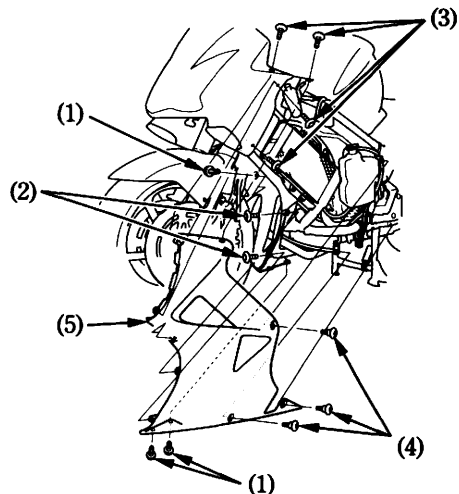


(1) Clips

(2) Bolts A

Installation:

- Installation can be done in the reverse order of removal.



(3) Bolts B

(4) Bolts C

(5) Front cowl