

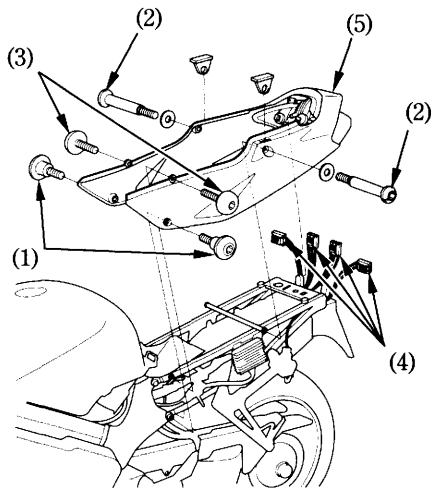
REAR COWL

Removal:

1. Remove the seat (page 48).
2. Remove the grab rails (page 51).
3. Remove the bolts A (1), bolts B (2) and bolts C (3).
4. Remove the connectors (4).
5. Remove the rear cowl (5).

Installation:

- Installation can be done in the reverse order of removal.



- (1) Bolts A
- (2) Bolts B
- (3) Bolts C

- (4) Connectors
- (5) Rear cowl