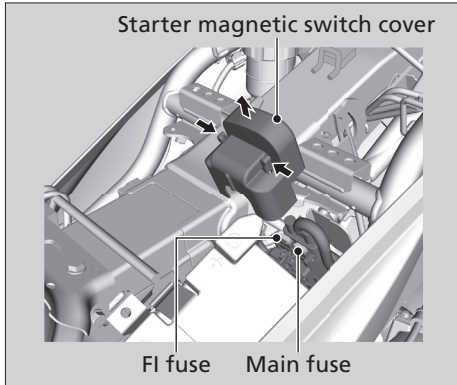


Electrical Trouble ► Blown Fuse

■ Main Fuse & FI Fuse



1. Remove the seat. ►P.54
2. Remove the starter magnetic switch cover.
3. Disconnect the wire connector of the starter magnetic switch.

4. Pull the main fuse and FI fuse out with the fuse puller in the tool kit and check for a blown fuse. Always replace a blown fuse with a spare of the same rating.
 - Spare fuses are provided in the fuse box.
5. Reinstall parts in the reverse order of removal.

NOTICE

If a fuse fails repeatedly, you likely have an electrical problem. Have your motorcycle inspected by your dealer.