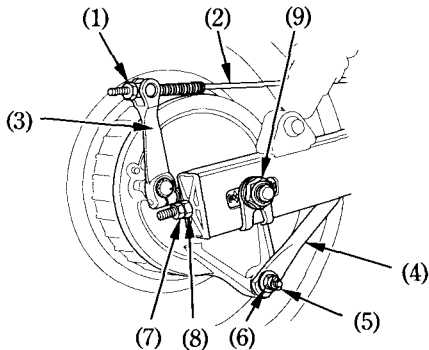


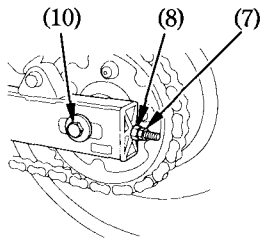
Rear Wheel Removal

1. Raise the rear wheel off the ground by placing a support block under the engine.
2. Remove the rear brake adjusting nut (1), disconnect the brake rod (2) from the brake arm (3) by pushing down on the rear brake pedal.



- | | |
|-------------------|---------------------|
| (1) Adjusting nut | (5) Cotter pin |
| (2) Brake rod | (6) Stopper arm nut |
| (3) Brake arm | (9) Axle nut |
| (4) Stopper arm | |

3. Disconnect the brake stopper arm (4) from the brake panel by removing the cotter pin (5), stopper arm nut (6), washer and rubber grommet.
4. Loosen the drive chain lock nuts (7) and adjusting nuts (8).
5. Remove the axle nut (9) while holding the rear axle at the other end with a wrench.
6. Pull out the rear axle (10).
7. Remove the drive chain from the drive sprocket by pushing the rear wheel forward.
8. Remove the rear wheel.



- | | |
|-------------------|----------------|
| (7) Lock nut | (10) Rear axle |
| (8) Adjusting nut | |