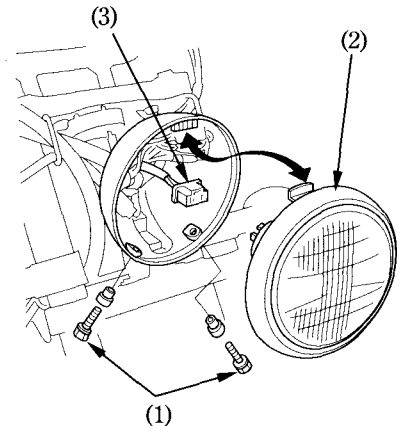


Headlight Bulb

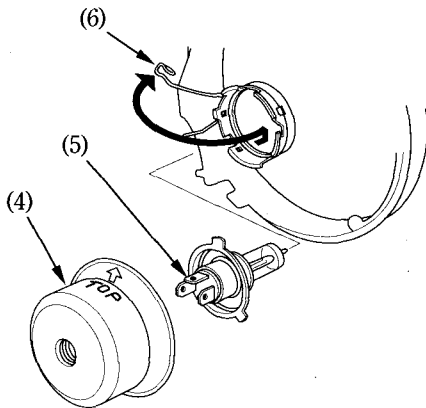
1. Remove the two bolts (1) and collars from the headlight case.
2. Gently pull the lower end of the headlight (2) forward and remove the headlight.
3. Disconnect the connector (3).



- (1) Bolts
(2) Headlight

(3) Connector

4. Remove the seat rubber (4).
5. Remove the headlight bulb (5) while pressing down on the pin (6).
6. Install a new bulb in the reverse order of removal.



- (4) Seat rubber
(5) Headlight bulb
(6) Pin