

LEFT SIDE COVER

The left side cover must be removed to access the tool kit.

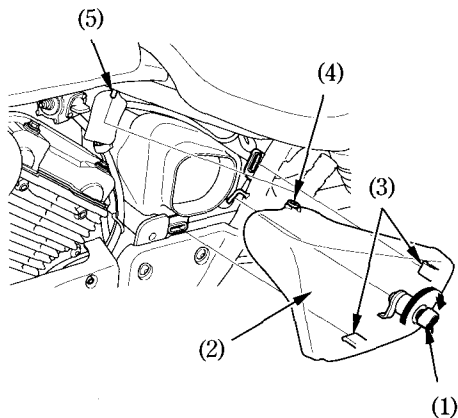
Removal:

1. Insert the ignition key (1) and turn it 90° clockwise.
2. Carefully pull the bottom of the left side cover (2) out until the two side cover tabs (3) are clear of the frame grommets.
3. Pull the rear end of the side cover down farther to release the side cover grommet (4) from the frame tab (5).
4. After checking that the side cover grommet is fully released from the frame tab completely, remove the side cover.

Installation:

1. Set the side cover grommet (4) to the frame tad (5).
2. Insert the two side cover tabs (2) into the frame grommets.

3. Turn the ignition key (1) 90° counterclockwise and remove it.



- (1) Ignition key
(2) Left side cover
(3) Side cover tabs

- (4) Side cover grommet
(5) Frame tab